

Bell Hydromatics

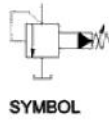
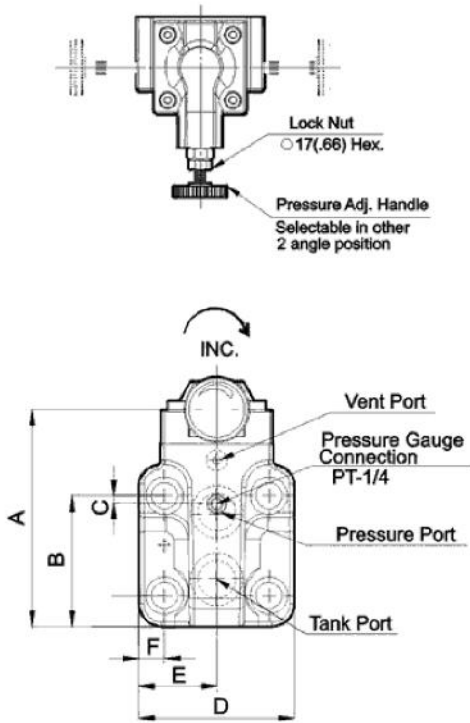


Pilot Operated Relief Valves



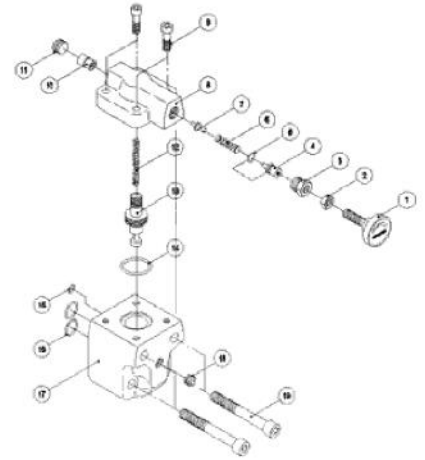
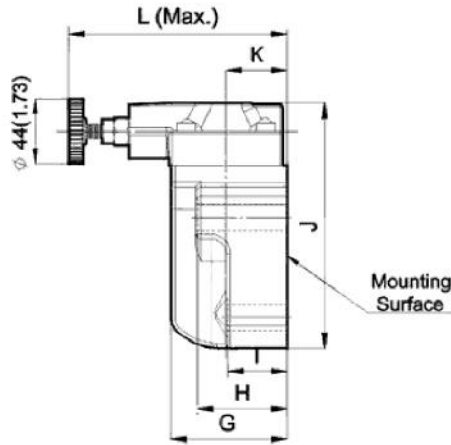
Subplate Type

Pilot Operated Relief Valves(Sub-Plate Type)

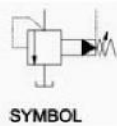
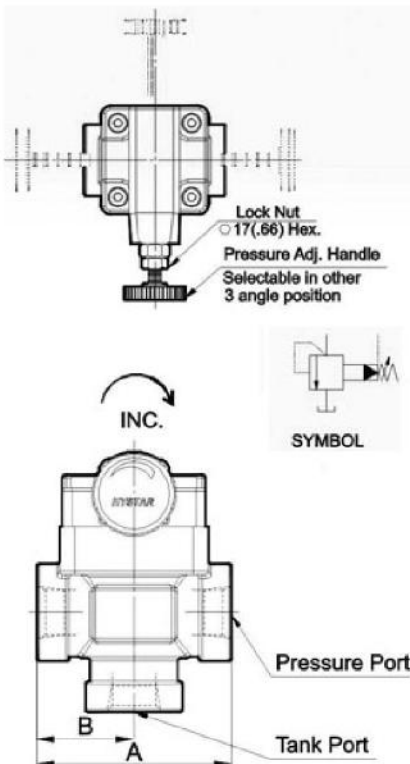


Valve Specifications & Attachment

Model	BG-03	BG-06	BG-10
Flow rating	100 lpm (26.4 gpm)	200 lpm (52.8 gpm)	400 lpm (106 gpm)
Max. Pressure	250 bar (3600 psi)	250 bar (3600 psi)	250 bar (3600 psi)
Weight kg(lbs.)	4.7 (10.4)	5.6 (12.3)	8.7 (19.2)
CODE:20	M12 X70LgX2pcs M12 X36LgX2pcs	M16 X60LgX2pcs M16 X30LgX2pcs	M20X70LgX2pcs M20X30LgX2pcs
CODE:2090	1/2-13UNCX3-3/4LgX2pcs 1/2-13UNCX3-3/4LgX2pcs	5/8-11UNCX3-1/4LgX2pcs 5/8-11UNCX3-1/4LgX2pcs	3/4-10UNCX3-3/4LgX2pcs 3/4-10UNCX3-1/2LgX2pcs
Surface O-Ring	P9X1pc, P20X2pc	P10AX1pc, P29X2pc	P10AX1pc, P36X2pc
ISO Mounting	6264-AR-06-2-A	6264-AS-08-2-A	6264-AT-10-2-A

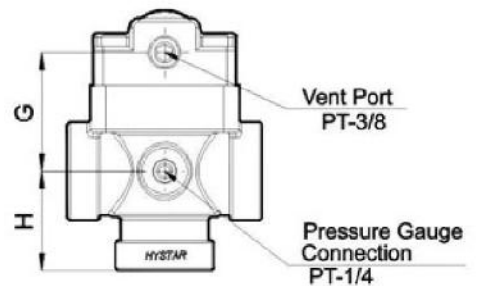
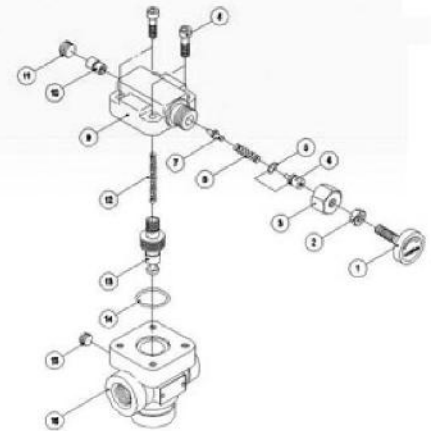
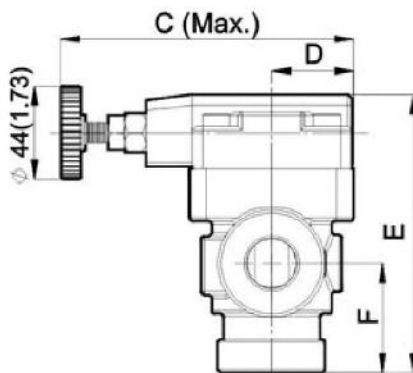


Pilot Operated Relief Valves(Threaded Type)

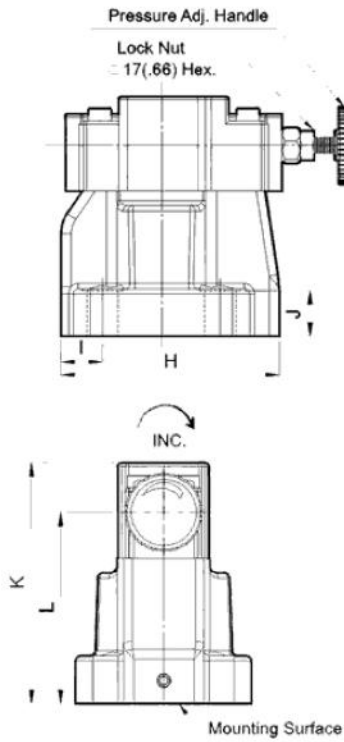


Valve Specifications & Attachment

Model	BT-03	BT-06	BT-10
Flow rating	100 lpm (26.4 gpm)	200 lpm (52.8 gpm)	400 lpm (106 gpm)
Max. Pressure	250 bar (3600 psi)	250 bar (3600 psi)	250 bar (3600 psi)
Weight kg(lbs.)	5 (11.0)	5 (11.0)	8.5 (18.7)
CODE:20	3/8 PT	3/4 PT	1 1/4 PT
CODE:2090	3/8 NPT	3/4 NPT	1 1/4 NPT



Low Noise Type Pilot Operated Relief Valves(Sub-Plate Type)



Valve Specifications & Attachment

Model	SBG-03	SBG-06	SBG-10
Flow Rating	100 lpm (26.4 gpm)	200 lpm (52.8 gpm)	400 lpm (106 gpm)
Max. Pressure	250 bar (3600 psi)	250 bar (3600 psi)	250 bar (3600 psi)
Weight kg(lbs.)	5 (11.0)	6.2 (13.6)	9.5 (20.9)
CODE:20	M12X40LgX4pcs	M16X50LgX4pcs	M20X60LgX4pcs
CODE:2090	1/2-13UNCX1-1/2LgX4pcs	5/8-11UNCX2LgX4pcs	3/4-10UNCX2-1/4LgX4pcs
Surface O-Ring	P9X1pc, P20X2pc	P10AX1pc, P28X2pc	P10AX1pc, P36X2pc
ISO Mounting	6264-AR-06-2-A	6264-AS-08-2-A	6264-AT-10-2-A

